



# Product Catalogue



2020

[www.grandaire-ac.com](http://www.grandaire-ac.com)

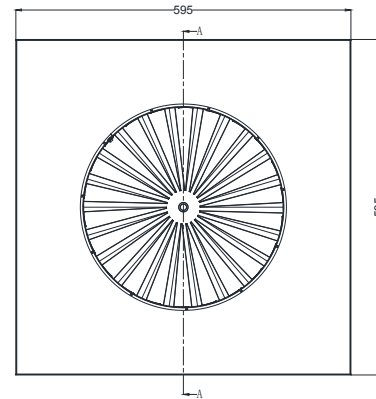
# SWIRL DIFFUSER CDS-D350



Swirl diffuser (CDS-D350) has 22 fixed vanes. It has the ability to handle lower to midrange air quantities and being able to maintain the desired supply air swirl pattern.

The CDS-D350 is a highly versatile swirl, making it ideal for use in a variety of applications, such as office blocks, hospitals, shopping centres, or any building where the even distribution of air is of greatest importance.

Cross Sectional Diagram



Performance Data

TEST CONDITIONS				SOUND POWER LEVEL, db re 1E-12W OCTAVE BAND CENTRE FREQUENCY (Hz)						
Qs(l/s)	Ps(Pa)	Th(m)	NC	125	250	500	1000	2000	4000	8000
50	2	2	<11	<38.3	<30.8	<26.2	<22.8	<15.9	<14.5	<14.7
100	6	3.6	<12	40.2	32.1	<26.8	<23.3	<16.2	<14.8	<14.8
150	14	5.6	15	41.6	37.6	31.2	<25.3	<17.6	<14.5	<14.9
180	20	6.7	21	44.2	42.4	36.9	30.3	25.6	<16.6	<15.0
200	25	>7	24	47.7	44.3	39.6	34.0	27.2	19.9	<15.2

LEGEND

Qa - Primary Air Flow Rate (L/s) Ps - Supply Static Pressure (Pa) NC - Noise Criterion based upon room absorption of 10db

> - Length of throw greater than that able to be measured Th - Horizontal Throw in metres at terminal velocity of 0.25m/s  
< - Insufficient margin above background noise to allow accurate determination

Product Specification Codes:

CDS-D350-395F	Swirl Diffuser D350 with 395mm x 395mm FACE
CDS-D350-445F	Swirl Diffuser D350 with 445mm x 445mm FACE
CDS-D350-595F	Swirl Diffuser D350 with 595mm x 595mm FACE

# SWIRL DIFFUSER

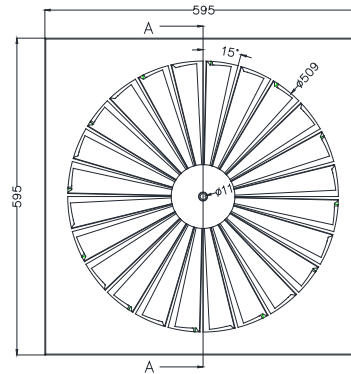
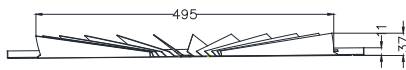
## CDS-D500



Swirl diffuser (CDS-D500) has 24 fixed vanes. It has the ability to handle lower to midrange air quantities and being able to maintain the desired supply air swirl pattern.

The CDS-D500 is highly versatile, making it ideal for use in a variety of applications, such as office blocks, hospitals, shopping centres, or any building where the even distribution of air is of greatest importance.

Cross Sectional Diagram



Performance Data

TEST CONDITIONS				SOUND POWER LEVEL, db re 1E-12W OCTAVE BAND CENTRE FREQUENCY (Hz)						
Qs(l/s)	Ps(Pa)	Th(m)	NC	125	250	500	1000	2000	4000	8000
165	7	4	17	42.5	37.5	31.4	29.7	25.4	16.6	<13.7
245	10	5	22	45.9	41.9	35.8	33.6	30.6	20.3	<13.7
288	13	6	27	49.9	46.4	40.5	38.4	36	26.5	16.4
351	19	7	32	53.5	50.6	45.6	42.8	39.8	31.8	22.1
432	29	>7	37	58.4	55.8	51.2	47.5	44.9	37.6	28.9

LEGEND

Qa - Primary Air Flow Rate (L/s) Ps - Supply Static Pressure (Pa) NC - Noise Criterion based upon room absorption of 10db

> - Length of throw greater than that able to be measured Th - Horizontal Throw in metres at terminal velocity of 0.25m/s

< - Insufficient margin above background noise to allow accurate determination

Product Specification Codes:

CDS-D500-595F

Swirl Diffuser D500 with 595mm x 595mm FACE

# ROUND SWIRL DIFFUSER

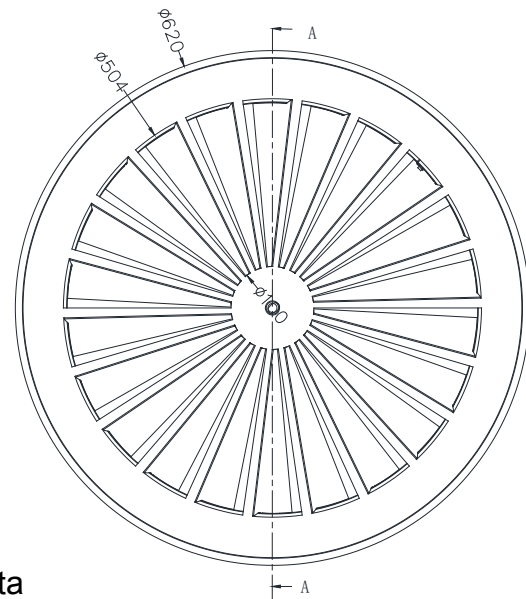
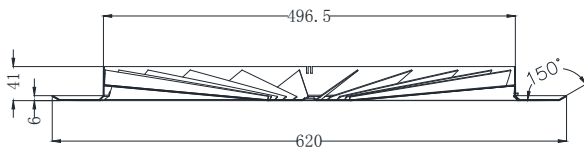
## RSW-D500



Round swirl diffuser (RSW-D500) has 24 fixed vanes. It has the ability to handle lower to midrange air quantities and being able to maintain the desired supply air swirl pattern.

The RSW-D500 is highly versatile, making it ideal for use in a variety of applications, such as office blocks, hospitals, shopping centres, or any building where the even distribution of air is of greatest importance.

Cross Sectional Diagram



Performance Data

TEST CONDITIONS				SOUND POWER LEVEL, db re 1E-12W OCTAVE BAND CENTRE FREQUENCY (Hz)						
Qs(l/s)	Ps(Pa)	Th(m)	NC	125	250	500	1000	2000	4000	8000
165	7	4	17	42.5	37.5	31.4	29.7	25.4	16.6	<13.7
245	10	5	22	45.9	41.9	35.8	33.6	30.6	20.3	<13.7
288	13	6	27	49.9	46.4	40.5	38.4	36	26.5	16.4
351	19	7	32	53.5	50.6	45.6	42.8	39.8	31.8	22.1
432	29	>7	37	58.4	55.8	51.2	47.5	44.9	37.6	28.9

**LEGEND**

Qa - Primary Air Flow Rate (L/s) Ps - Supply Static Pressure (Pa) NC - Noise Criterion based upon room absorption of 10db

> - Length of throw greater than that able to be measured Th - Horizontal Throw in metres at terminal velocity of 0.25m/s

< - Insufficient margin above background noise to allow accurate determination

**Product Specification Codes:**

RSW-D500

Round Swirl Diffuser D500 with 620 FACE

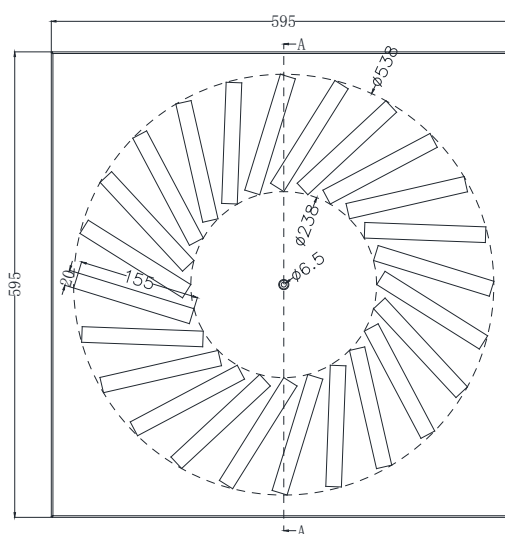
# ADJUSTABLE SWIRL DIFFUSER ASWD-24



Adjustable swirl diffuser (ASWD-24) has 24 adjustable vanes. The ASWD-24 is highly versatile diffuser that allows precise air control as a result of the easily adjustable vanes at the rear of the diffuser.

The ASWD-24 is ideal for use in a variety of applications and is well suited to office blocks, hospitals, shopping centres, or places where the even distribution of air is of greatest importance.

Cross Sectional Diagram



Performance Data

TEST CONDITIONS				SOUND POWER LEVEL, db re 1E-12W OCTAVE BAND CENTRE FREQUENCY (Hz)						
Qs(l/s)	Ps(Pa)	Th(m)	NC	125	250	500	1000	2000	4000	8000
77	5	3	20	46	42.1	31.3	31.3	24.5	<15.4	<12.1
104	9	4	27	50.9	48.4	37.2	37.0	31.9	24.2	<14.6
134	15	>4	33	55.3	52.7	42.5	42.4	37.3	31.1	21.0
187	26	>4	40	62.3	59.3	50.3	50.1	45.0	39.9	31.8
241	41	>4	45	65.8	62.1	57.2	55.3	50.4	45.2	37.5

**LEGEND**

Qa - Primary Air Flow Rate (L/s) Ps - Supply Static Pressure (Pa) NC - Noise Criterion based upon room absorption of 10db

> - Length of throw greater than that able to be measured Th - Horizontal Throw in metres at terminal velocity of 0.25m/s

< - Insufficient margin above background noise to allow accurate determination

**Product Specification Codes:**

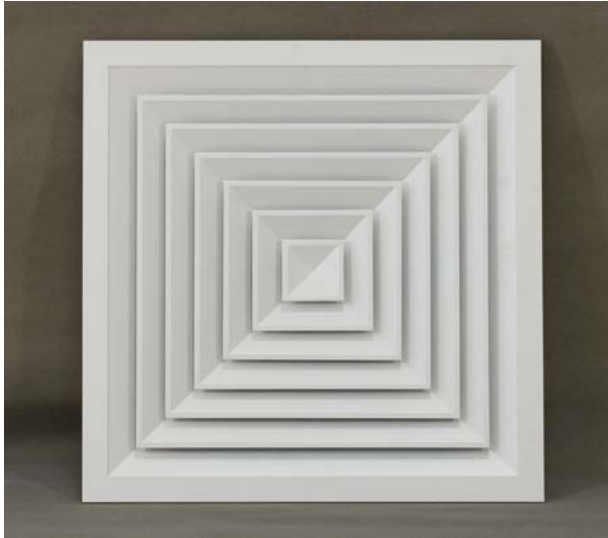
ASWD-24-595F

ADJUSTBALE Swirl Diffuser 24 with 595mm x 595mm FACE



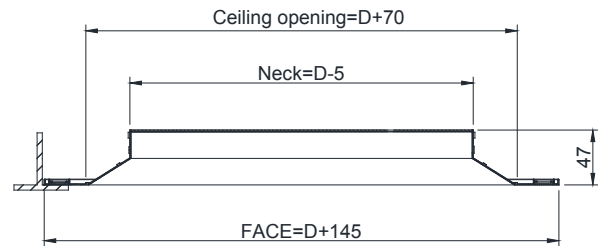
# LOUVRE FACED DIFFUSER(LFD)

## LFD-4W



Louvre Face Diffuser is generally flush mounted to the ceiling line, and it is ideal for lay-in applications where the diffuser is placed into a T-bar ceiling grid.

The Louvre Face Diffuser can be used in place of a modular ceiling tile without altering the T-bar construction. It comes in standard white.



### Performance Data Neck Velocity (m/sec)

Neck Area	Rating	1.5	2.0	2.5	3.0	3.5
Square Metre	Total Pressure Drop in Pascals	10	15	23	33	44
150x150	l/s	34	45	56	67	78
0.0225	NR-dB	-	-	-	24	31
	NC-dB	-	-	-	23	30
	Min-Max Throw(metres)	L 0.6-2.1 S 0.6-1.8	1.2-2.4 0.9-1.8	1.2-2.7 0.9-2.1	1.5-3.0 1.2-2.4	1.8-3.4 1.2-2.7
225x225	l/s	76	101	127	152	177
0.0505	NR-dB	-	-	23	29	35
	NC-dB	-	-	22	28	34
	Min-Max Throw (metres)	L 1.2-3.0 S 1.2-2.7	1.5-3.7 1.2-3.0	1.8-4.0 1.5-3.7	2.4-4.6 1.8-3.7	2.7-4.9 2.1-4.0
300x300	l/s	135	180	225	270	315
0.1406	NR-dB	-	21	26	32	38
	NC-dB	-	20	25	31	37
	Min-Max Throw (metres)	L 1.5-4.3 S 1.2-3.7	2.1-4.9 1.5-3.7	2.4-5.5 2.1-4.0	3.0-5.5 2.4-4.9	3.7-6.4 3.0-5.2
375x375	l/s	210	260	345	421	490
0.1706	NR-dB	-	23	29	34	40
	NC-dB	-	22	28	33	39
	Min-Max Throw (metres)	L 1.8-5.2 S 1.5-4.3	2.4-6.1 2.1-4.9	3.0-6.7 2.4-5.5	3.7-7.0 3.4-6.1	4.9-7.6 4.3-6.4
450x450	l/s	304	405	506	607	708
0.2025	NR-dB	-	24	30	35	42
	NC-dB	-	23	29	34	41
	Min-Max Throw (metres)	L 2.4-6.4 S 1.8-4.9	3.0-7.3 2.4-5.8	4.0-8.2 3.4-6.7	4.9-8.8 4.0-7.3	5.5-9.4 4.6-7.6

### Product Specification Codes:

LFD150x150-4W	Louvre Faced Diffuser 150x150 4 way
LFD225x225-4W	Louvre Faced Diffuser 225x225 4 way
LFD300x300-4W	Louvre Faced Diffuser 300x300 4 way
LFD375x375-4W	Louvre Faced Diffuser 375x375 4 way
LFD450x450-4W	Louvre Faced Diffuser 450x450 4 way

# SWIRL DIFFUSER

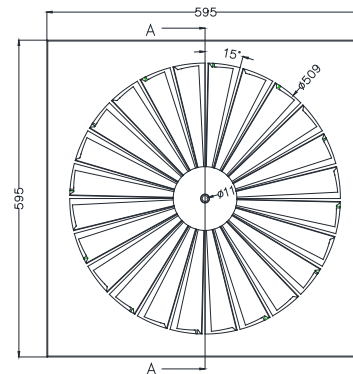
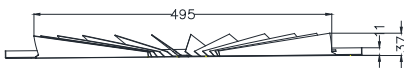
## CDS-D500



Swirl diffuser (CDS-D500) has 24 fixed vanes. It has the ability to handle lower to midrange air quantities and being able to maintain the desired supply air swirl pattern.

The CDS-D500 is highly versatile, making it ideal for use in a variety of applications, such as office blocks, hospitals, shopping centres, or buildings where the even distribution of air is of greatest importance.

Cross Sectional Diagram



Performance Data

TEST CONDITIONS				SOUND POWER LEVEL, db re 1E-12W OCTAVE BAND CENTRE FREQUENCY (Hz)						
Qs(l/s)	Ps(Pa)	Th(m)	NC	125	250	500	1000	2000	4000	8000
165	7	4	17	42.5	37.5	31.4	29.7	25.4	16.6	<13.7
245	10	5	22	45.9	41.9	35.8	33.6	30.6	20.3	<13.7
288	13	6	27	49.9	46.4	40.5	38.4	36	26.5	16.4
351	19	7	32	53.5	50.6	45.6	42.8	39.8	31.8	22.1
432	29	>7	37	58.4	55.8	51.2	47.5	44.9	37.6	28.9

**LEGEND**

Qa - Primary Air Flow Rate (L/s) Ps - Supply Static Pressure (Pa) NC - Noise Criterion based upon room absorption of 10db

> - Length of throw greater than that able to be measured Th - Horizontal Throw in metres at terminal velocity of 0.25m/s

< - Insufficient margin above background noise to allow accurate determination

**Product Specification Codes:**

CDS-D500-595F

Swirl Diffuser D500 with 595mm x 595mm FACE